

Fact sheet

Working safely in and around shafts - opal and gemstone mining

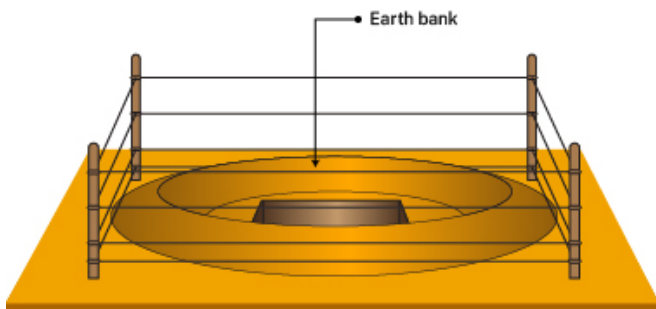
December 2022

This fact sheet outlines the appropriate methods and minimum standards for mine shafts, auger holes and ladder safety on registered claims. Please refer to our *Self-assessment checklist: Working safely in and around shafts*, to ensure best practice when working in around shafts. Further information can be found in our opal and gemstone mining guide, available on our website resourcesregulator.nsw.gov.au

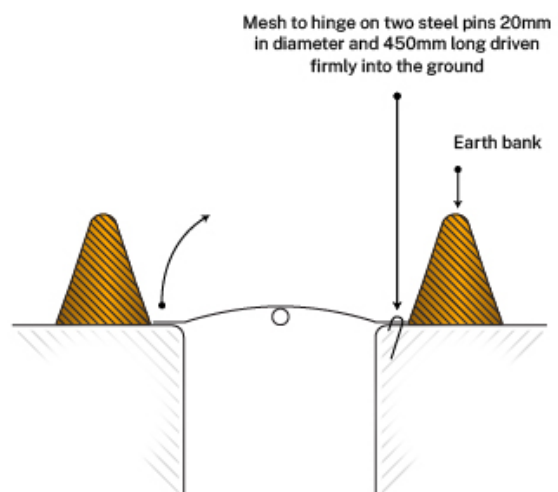
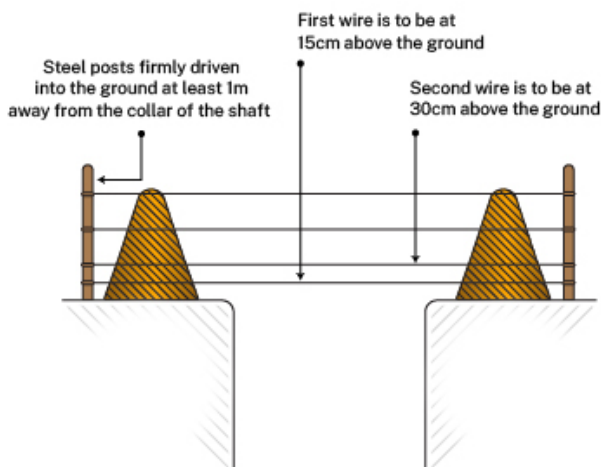
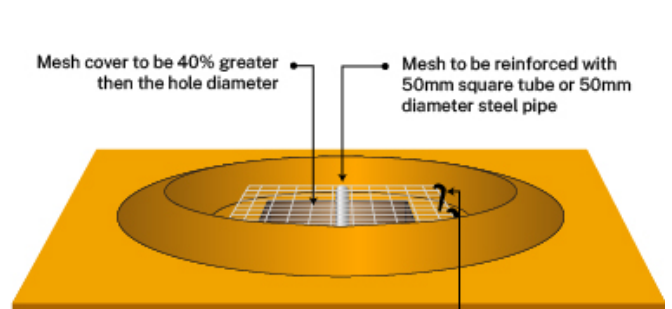
Mine shafts

Methods A or B can be used.

Method A: Four steel posts with four strands of barbed wire



Method B: Steel reinforcing mesh cover holes

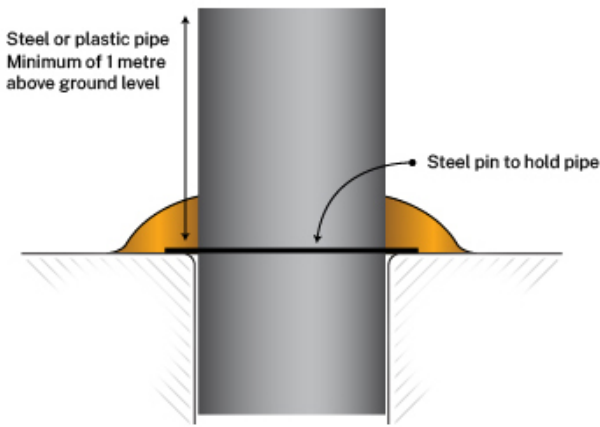


Fact sheet

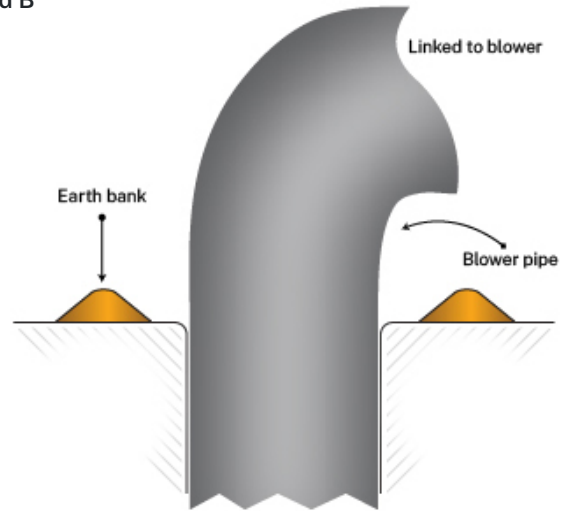
Auger holes

Methods A or B can be used.

Method A

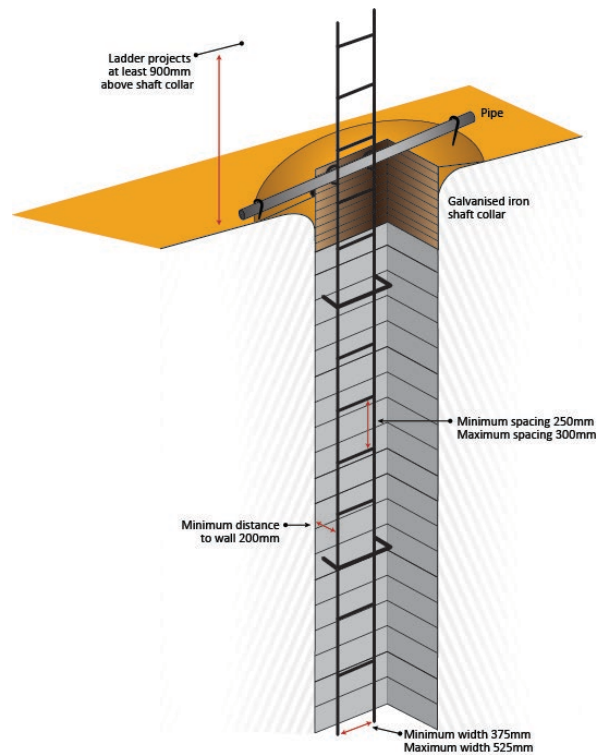


Method B



Ladders

Strong rigid ladders constructed of steel should be used for people accessing and exiting shafts. The ladder must be securely fastened to a loadbearing steel crossmember (50 millimetres x 50 millimetres). The steel crossmember must overhand each side of the shaft by at least 20%. When climbing a ladder safely, it is always important to have three points of contact. Only one person should be on a ladder at any time.



© State of New South Wales through Regional NSW 2022. You may copy, distribute, display, download and otherwise freely deal with this publication for any purpose, provided that you attribute Regional NSW as the owner. However, you must obtain permission if you wish to charge others for access to the publication (other than at cost); include the publication in advertising or a product for sale; modify the publication; or republish the publication on a website. You may freely link to the publication on a departmental website.

Disclaimer: The information contained in this publication is based on knowledge and understanding at the time of writing (December 2022) and may not be accurate, current or complete. The State of New South Wales (including Regional NSW), the author and the publisher take no responsibility, and will accept no liability, for the accuracy, currency, reliability or correctness of any information included in the document (including material provided by third parties). Readers should make their own inquiries and rely on their own advice when making decisions related to material contained in this publication.

RDOC22/209831